

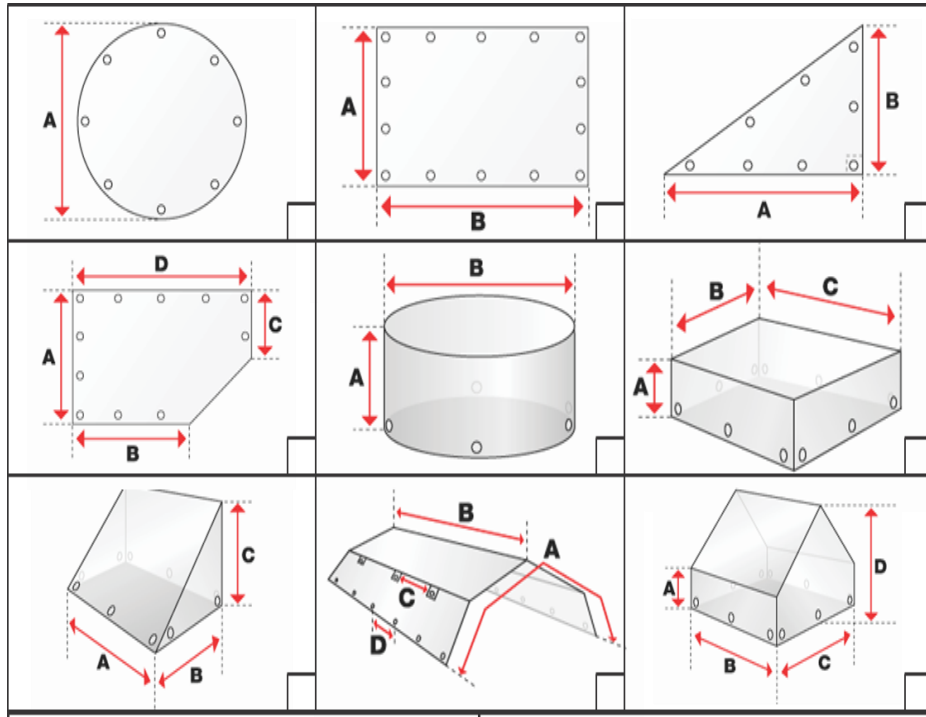


Custom Covers By Trent Covers



Follow the steps below so we can make your custom covers to your specification.

1st: Choose your shape by ticking the box



2nd: Dimensions

A.....

B.....

C.....

D.....

3rd: Choose Material Type

.....

4th: Choose your Colour

.....

5th: Additional Information

Do you need:

Cords, Straps Eyelets etc.

.....

.....

.....

.....

.....

.....

.....

6th: Contact Details

Name.....

Address.....

Postcode.....

Email.....

Phone Nos.

.....

.....



T: 01949 358060 M: 07443 429014 INFO@TRENTCOVERS.CO.UK

If you need any other help please call and ask.

All orders are subject to our terms and conditions which are available on our website.

www.trentcovers.co.uk

